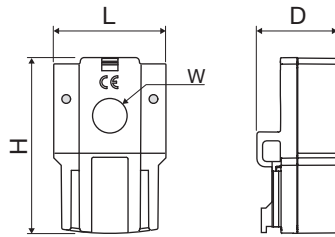
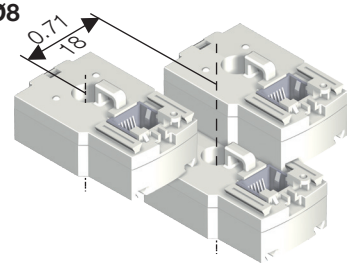


Dual dimension in/mm

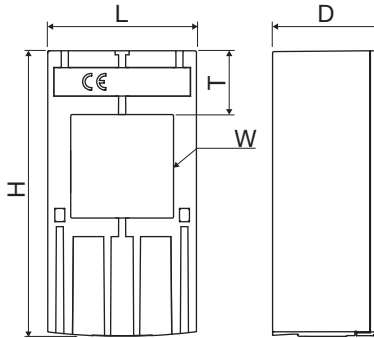
	LxHxD	ØW	T	Pitch	I nom.	I max.
TE-18	1.10 x 1.77 x 0.79 28 x 45 x 20	Ø 0.33 Ø 8.4	-	18	5...20A	24A
TE-18	1.10 x 1.77 x 0.79 28 x 45 x 20	Ø 0.33 Ø 8.4	-	18	25...63A	75.6A
ΔIC Ø8	1.10 x 1.77 x 0.79 28 x 45 x 20	Ø 0.33 Ø 8.4	-	18	2A	3A



TE-18 / ΔIC Ø8

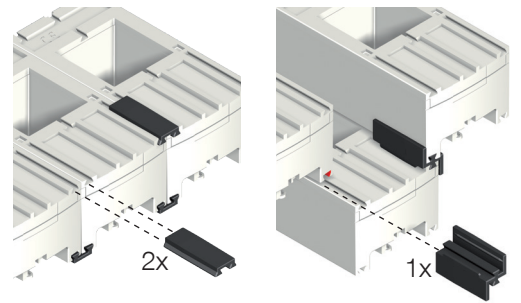


	LxHxD	ØW	T	Pitch	I nom.	I max.
TE-25	0.98 x 2.56 x 1.28 25 x 65 x 32.5	0.53 x 0.53 13.5 x 13.5	0.69 17.5	25	40...160A	192A
TE-35	1.37 x 2.79 x 1.28 35 x 71 x 32.5	0.82 x 0.82 21 x 21	0.69 17.5	35	63...250A	300A
TE-45	1.77 x 3.38 x 1.28 45 x 86 x 32.5	1.22 x 1.22 31 x 31	0.77 19.5	45	60...630A	756A
TE-55	2.16 x 3.93 x 1.28 55 x 100 x 32.5	1.61 x 1.61 41 x 41	0.85 21.5	55	400...1000A	1200A

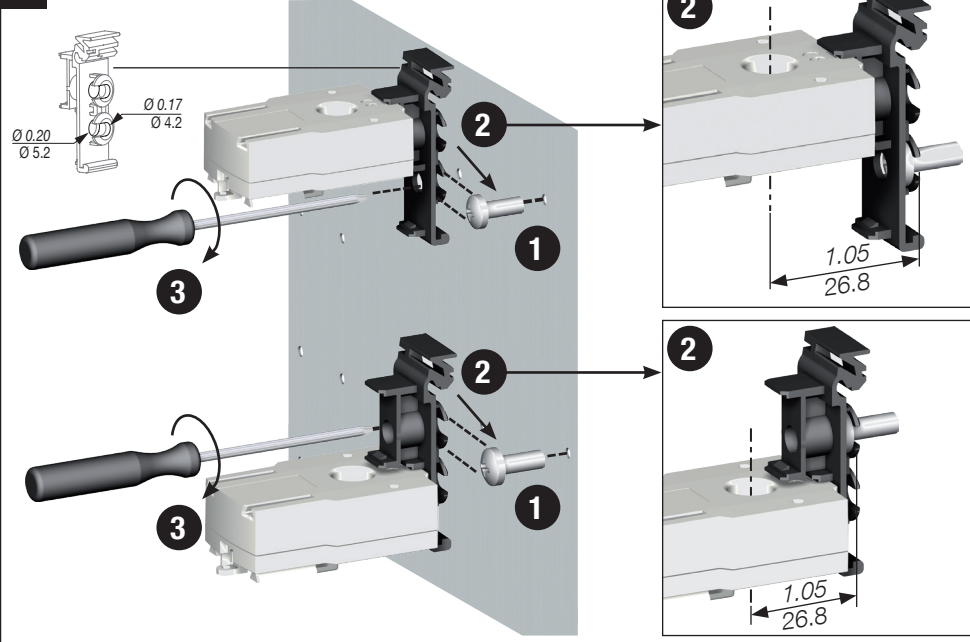


TE-25 -> TE-55

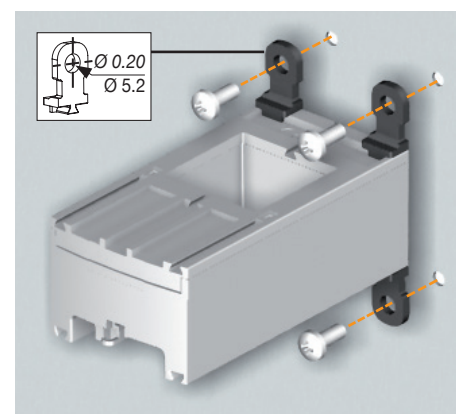
TE-35 -> TE-55



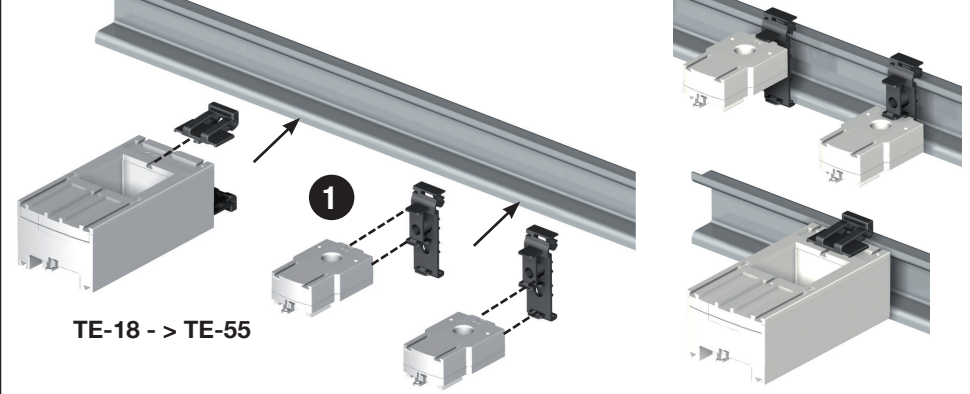
1A TE-18 / ΔIC Ø8



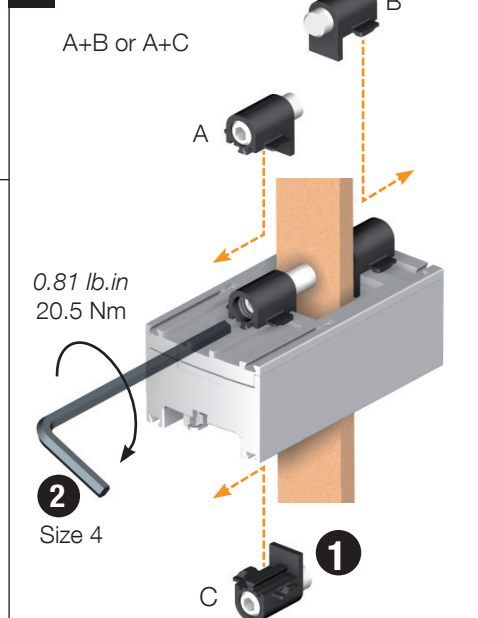
TE-25 -> TE-55



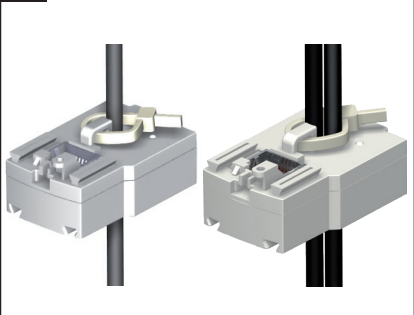
1B



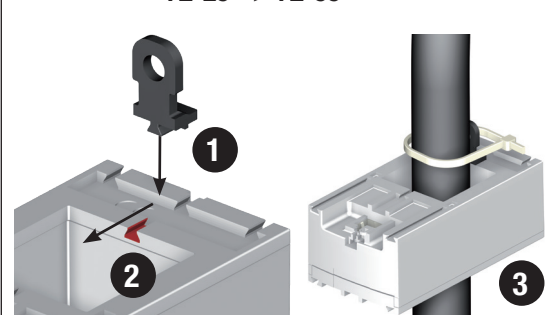
1D TE-35 -> TE-55



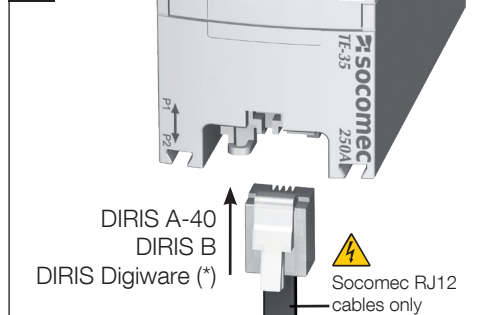
1C TE-18 / ΔIC Ø8



TE-25 -> TE-55



2



(*) ΔIC Ø8 only used with DIRIS Digiware R-60 RCM module