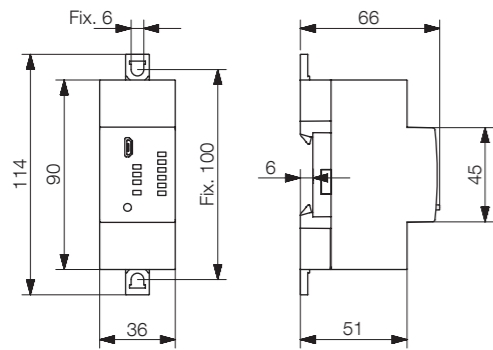
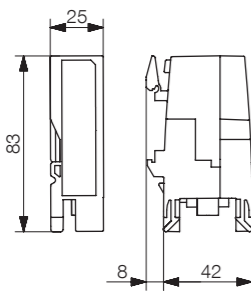


**5 Dimensions**

DIRIS Digiware R-60 Dimensions mm

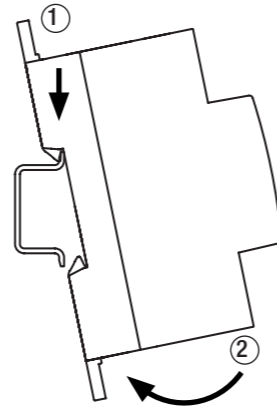
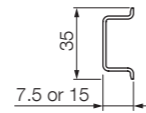


DIRIS Digiware T-10



**6 DIN rail mounting**

Dimensions mm



**DIRIS Digiware RCM**

POWER AND RESIDUAL CURRENT MONITORING SYSTEM FOR TN-S AND TT ELECTRICAL INSTALLATIONS



Full user manual:  
[www.socomec.com/operating-instructions](http://www.socomec.com/operating-instructions)  
[www.socomec.com](http://www.socomec.com)



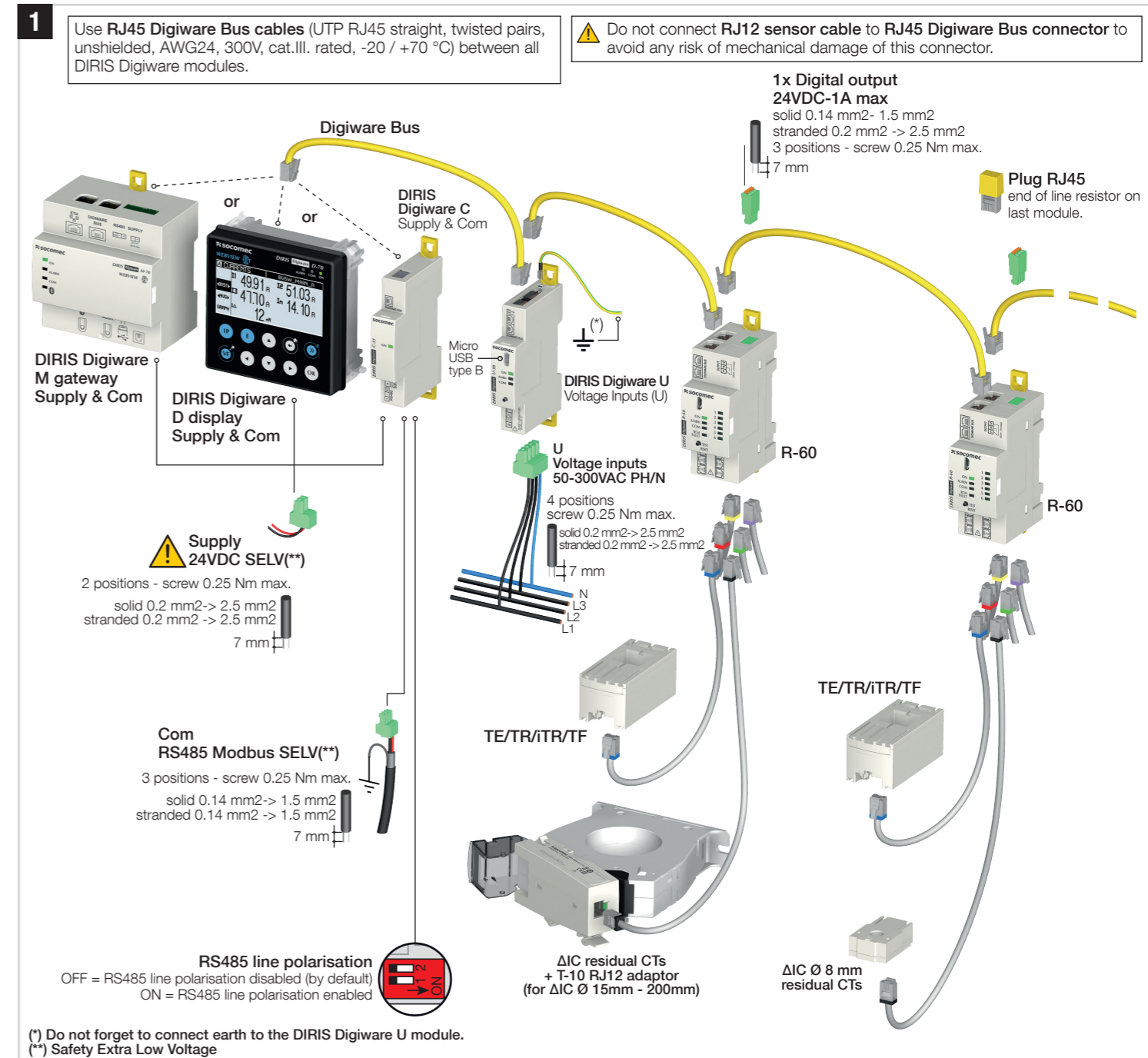
Residual Current Monitoring device  
**DIRIS Digiware R-60**  
4829 0114



RJ12 residual CT adaptor  
**DIRIS Digiware T-10**  
4829 0620

**7 Technical characteristics**

STANDARDS	
IEC 62020 - Residual Current Monitors (RCM)	Type A
IEC 60755 - Residual Current Devices (RCD)	Type A (§8.5)
IEC 61557-12 - Power metering and monitoring devices (PMD)	Overall performance class 0.5 for active power (with TE/ITR/TF)
COMMUNICATION CHARACTERISTICS	
RJ45 Digiware bus	1 x Input / 1 x Output
USB	Firmware upgrade via Product Upgrade Tool software Configuration via Easy Config System software
ENVIRONMENTAL CHARACTERISTICS	
Storage temperature	-20 ... +70°C (IEC 60068-2-1 / IEC 60068-2-2)
Operating temperature	-10 ... +55°C (IEC 60068-2-1 / IEC 60068-2-2)
Humidity	+25°C / 97% RH & +55°C / 93% RH (IEC 60068-2-30)
Operating altitude	≤ 2000 m
Pollution degree	2
Protection class	IP 40 (front face)
Overvoltage category	CAT III

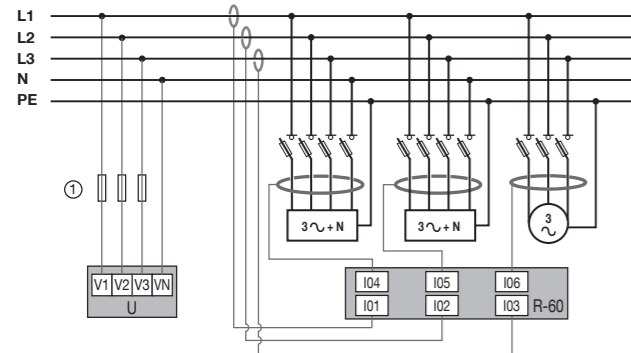


## 2 Main network and load connections

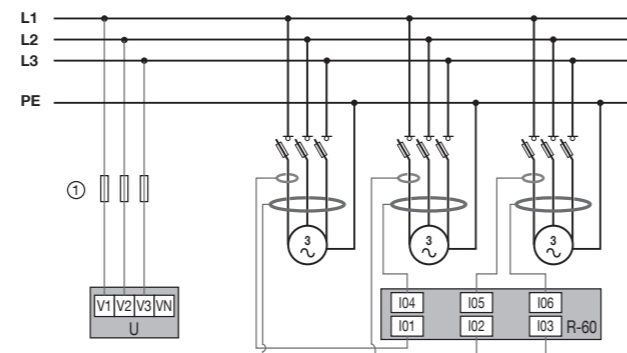
Each current input setting is individual and can be mixed (CT and/or residual CT). See below some examples: (for full PMD configurations, refer to DIRIS Digiware Quickstart).



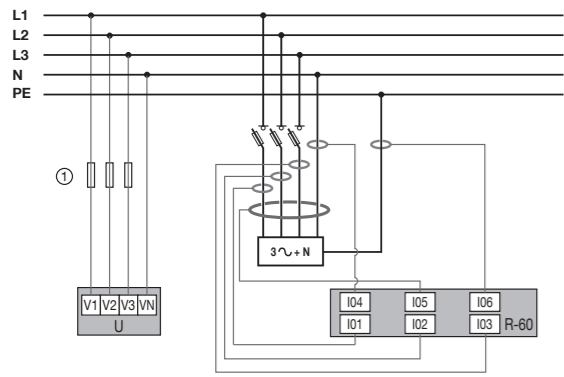
**3 x 3-Ph loads**  
RCM (I<sub>Δ</sub>) on each 3-Ph load  
Load current monitoring on upstream L1, L2, L3



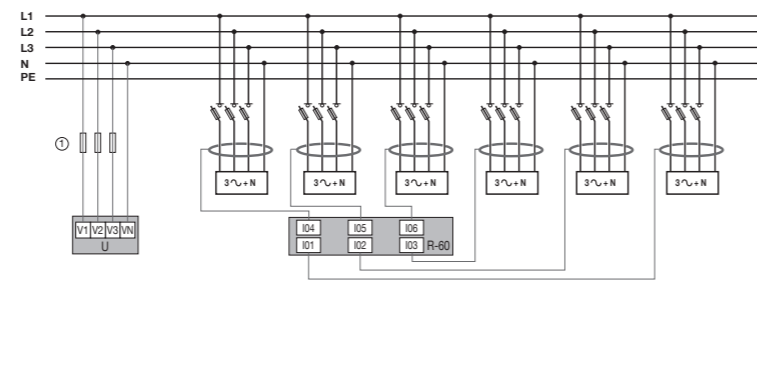
**3 x 3-Ph loads**  
RCM (I<sub>Δ</sub>) on each 3-Ph balanced load  
Load current monitoring on each 3-Ph balanced load



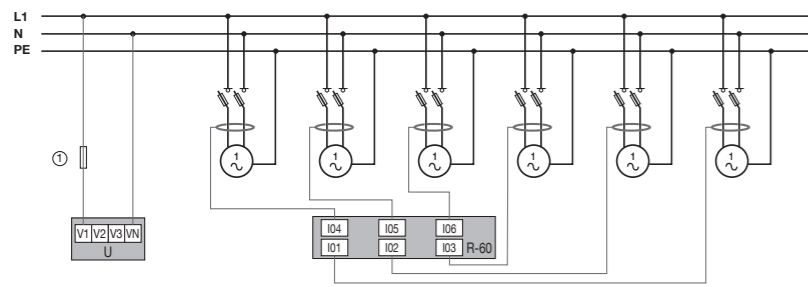
**1 x 3-Ph loads**  
RCM (I<sub>Δ</sub> + I<sub>PE</sub>)  
Load current monitoring (L1, L2, L3, N)



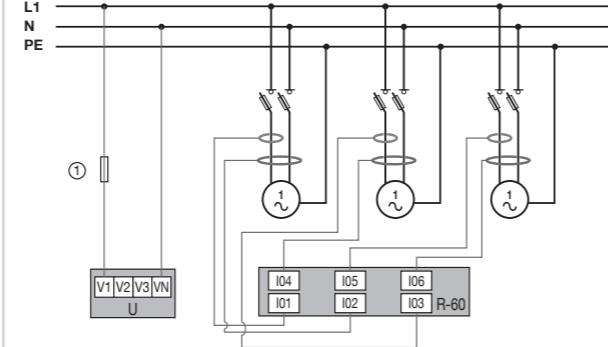
**6 x 3-Ph loads**  
RCM (I<sub>Δ</sub>) on each 3-Ph load



**6 x 1-Ph loads**  
RCM (I<sub>Δ</sub>) on each 1-Ph load



**3 x 1-Ph loads**  
RCM (I<sub>Δ</sub>) on each 1-Ph load  
Load current monitoring on each 1-Ph load



When combining load current monitoring with Residual Current Monitoring for the same circuit, always use the first available I<sub>0x</sub> current inputs of the DIRIS Digiware R-60 to connect TE, TR/iTR and TF current sensors directly followed by residual CTs.

### Example for 1 load: 3P+N – 3 CT

- I01 → Load current monitoring (I1)
- I02 → Load current monitoring (I2)
- I03 → Load current monitoring (I3)
- I04 → Residual Current Monitoring (I<sub>Δ</sub>)
- I05 → Residual Current Monitoring (I<sub>PE</sub>)

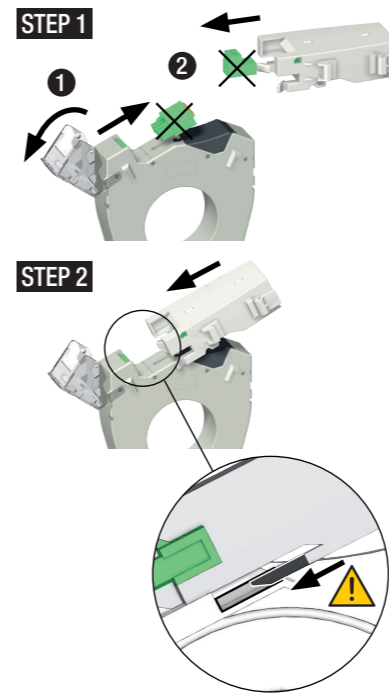
### Example for 3 loads: 1P+N – 1 CT

- I01 → Load 1 current monitoring (I1)
- I02 → Residual Current Monitoring (I<sub>Δ</sub>)
- I03 → Load 2 current monitoring (I1)
- I04 → Residual Current Monitoring (I<sub>Δ</sub>)
- I05 → Load 3 current monitoring (I1)
- I06 → Residual Current Monitoring (I<sub>Δ</sub>)

## 3 Residual CT & T-10 adaptor

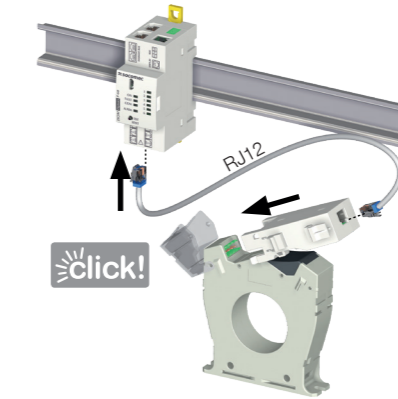
### Important:

- Use only RJ12 SOCOMEC current Sensors cable (type RJ12 straight, twisted pairs, unshielded, 300V cat. III, rated, -40 / +85°C).
- It is recommended to mount all the current sensors with the same orientation.
- Always start with current sensor input 1.
- If T-10 is mounted on residual CT, do not mount T-10 on DIN rail.
- RJ12 max length: 10m

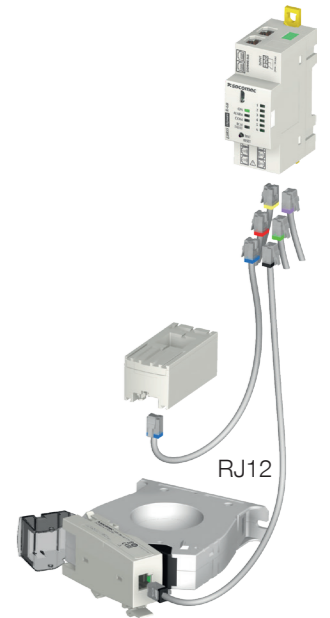


Connecting a T-10 adaptor on ΔIC residual CTs (ΔIC-30 and higher only)

**⚠ No mounting of T-10 adaptor on busbars !**

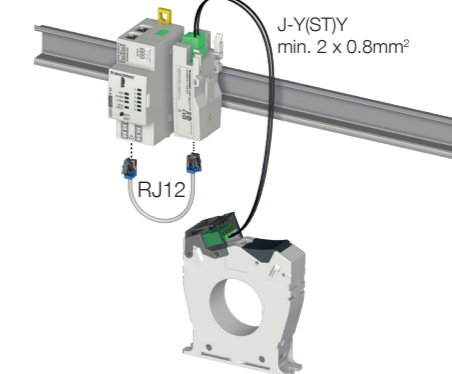


DIRIS Digiware R-60



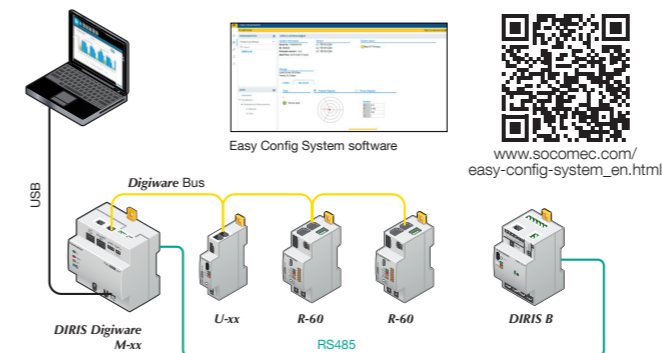
Connecting a T-10 adaptor on an existing residual CT

**⚠ No mounting of T-10 adaptor on busbars !**

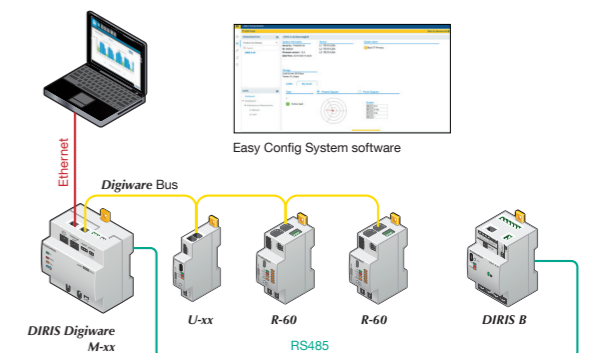


## 4 Configuration

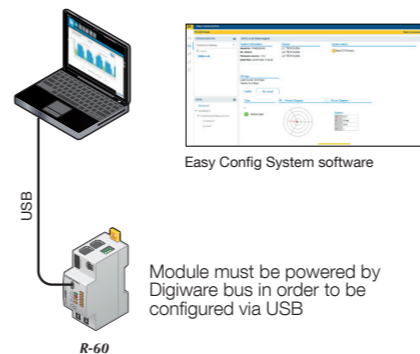
### ● USB through M-xx gateway or D-xx display



### ● Ethernet through M-xx gateway



### ● Direct USB to R-60 module



### ● Manual via D-xx display

