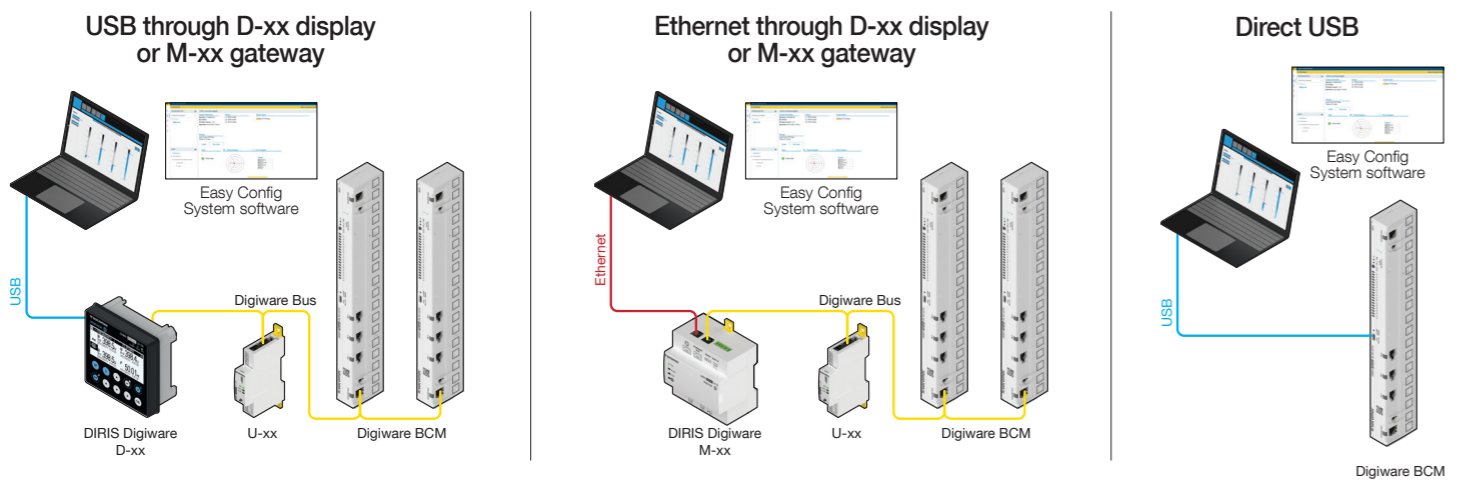


8 Configuration with Easy Config System



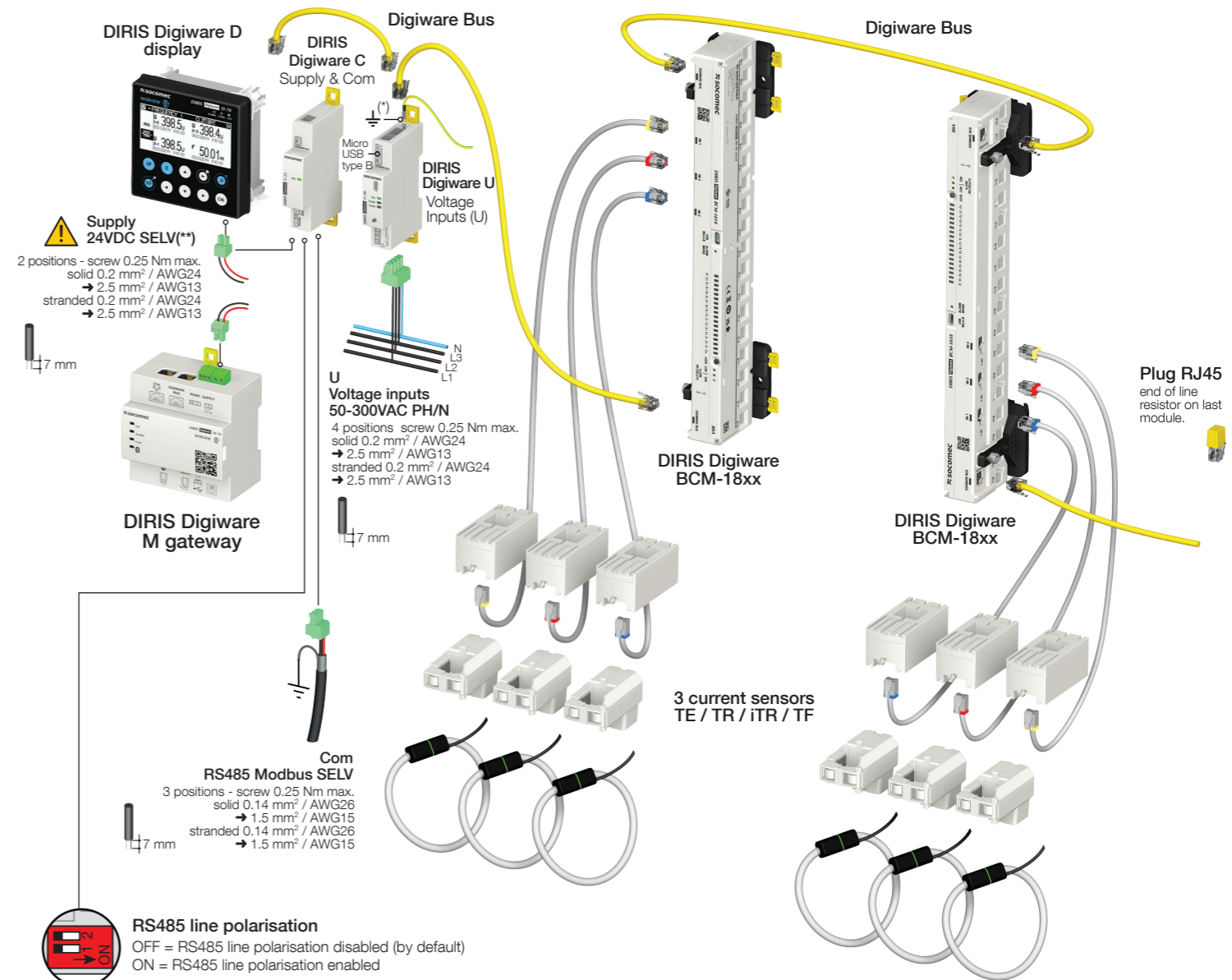
Branch-circuit Meter – 18 circuits
DIRIS Digiware BCM-1818



DIRIS Digiware BCM model	BCM-1818	BCM-1818VM
# of circuits	18	18
Pitch	18 mm	18 mm
Imax	80 A	80 A
Breaker Status		•
Part no.	4829 0165	4829 0166

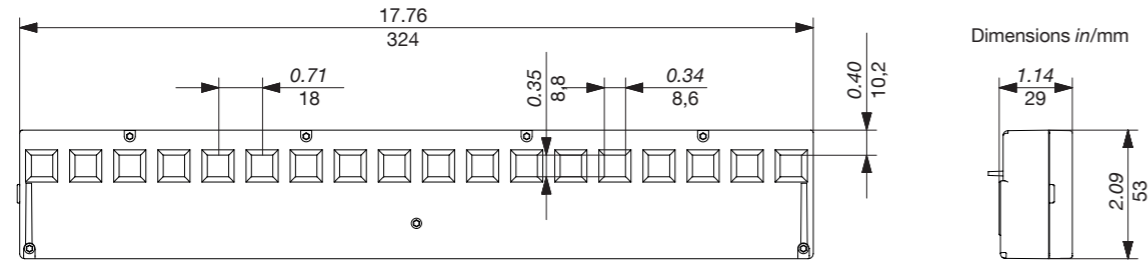
1 System wiring – exploded view

- ⚠ Use RJ45 Digiware Bus cables (UTP RJ45 straight, twisted pairs, unshielded, AWG24, 300V, cat.III. rated, -20 / +70 °C) between all DIRIS Digiware modules.
- ⚠ Use SOCOMEC RJ12 cables (UTP unshielded, twisted pair, straight, AWG24, 600V, CATV, -10 ... +70°C.
- ⚠ Do not put USB or RJ45 connectors in contact with hazardous voltage.



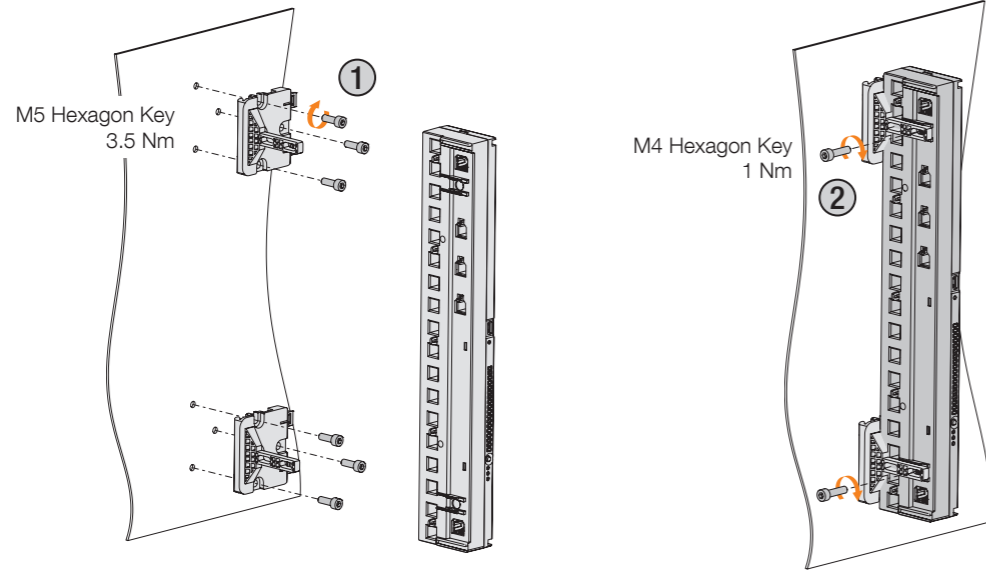
SELV : Safety Extra Low Voltage.
(*) Do not forget to connect earth to the DIRIS Digiware U module.

2 Dimensions (in/mm)

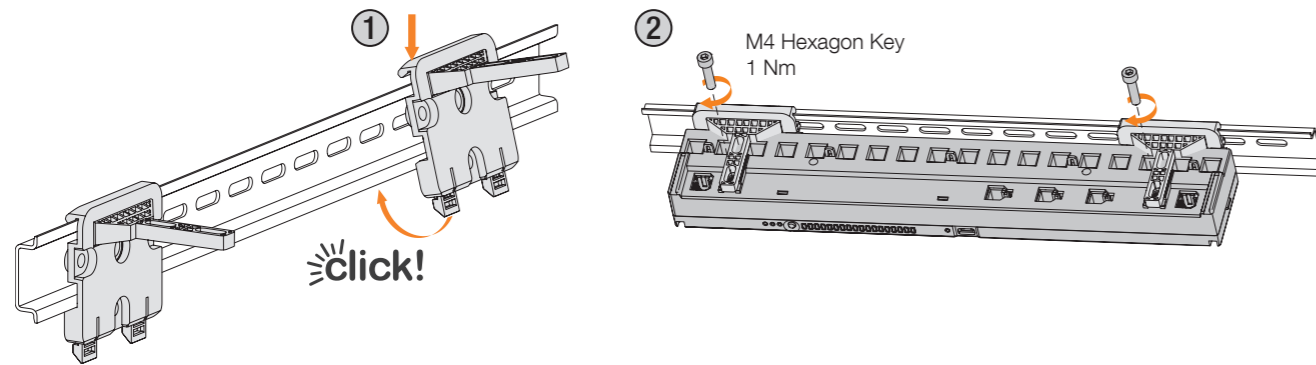


3 Mounting

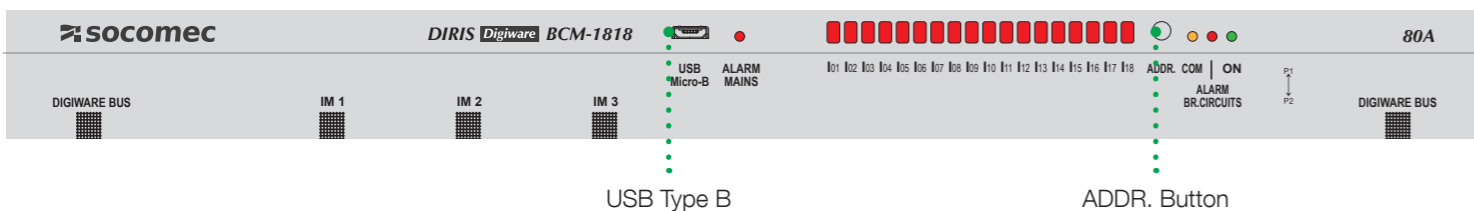
Back plate



DIN rail



4 HMI



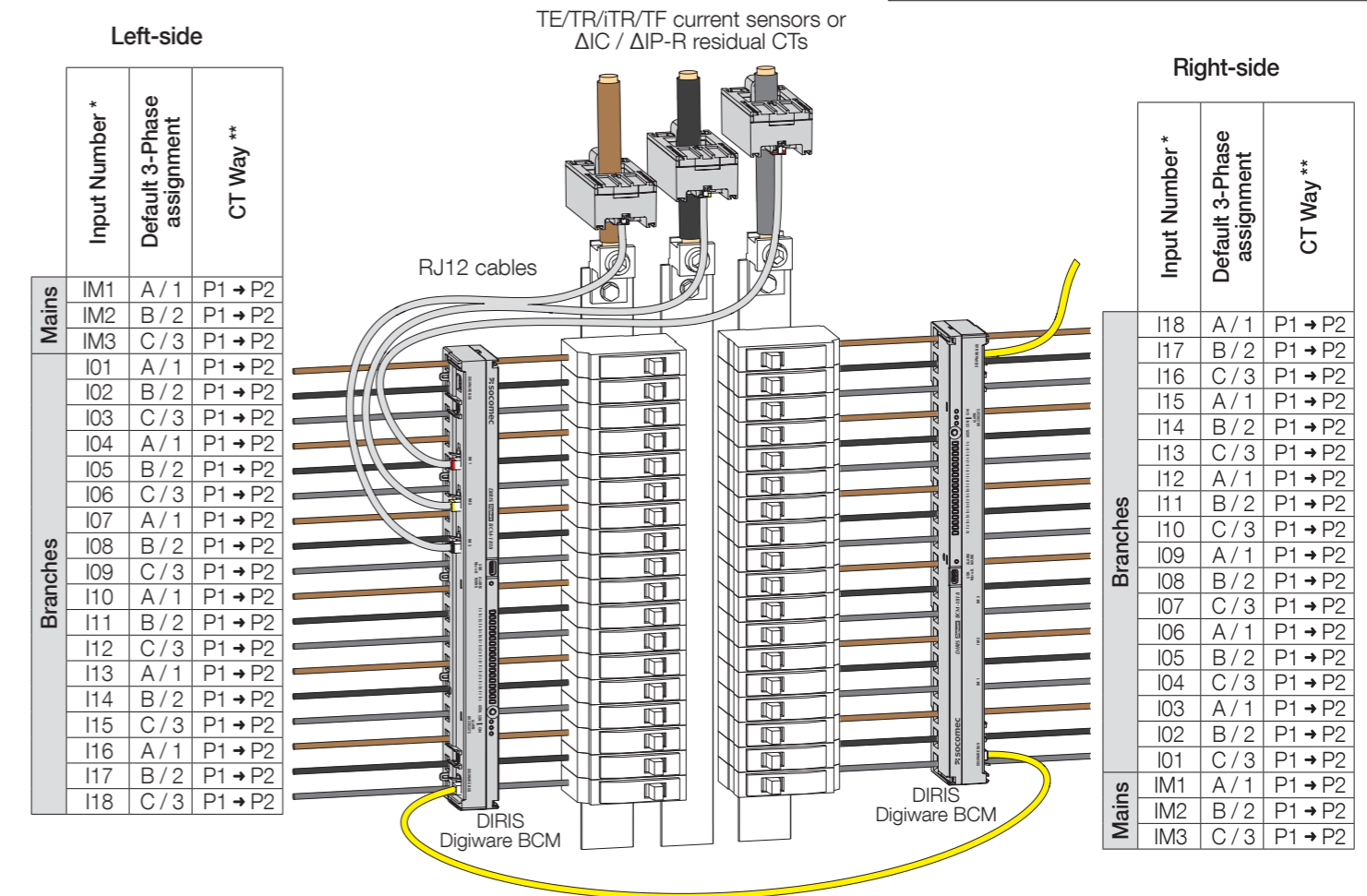
	FIXED	BLINKING
ALARM MAINS (Red)	Ongoing alarm (measurement, protection)	Ongoing system alarm (disconnected CT, V/I association, incorrect CT rating)
I01 - I18 (Red)	Indicates that no voltage is detected on a phase	-
COM (Orange)	Address conflict during Auto-Discovery process	Device is communicating
ALARM BR. CIRCUITS (Red)	Ongoing alarm (measurement, protection)	Ongoing system alarm (disconnected CT, V/I association, incorrect CT rating)
ON (Green)	Product powered and operating normally	When D-xx display is navigating on device and upon manual request (10 sec)

5 Technical characteristics

Measurement characteristics	
Nominal current I_n	32 ... 63 A
Maximum current I_{max}	80 A
Communication characteristics	
RJ45 Digiware bus	1 x Input / 1 x Output
Micro USB Type B	Configuration via Easy Config System software and firmware upgrade via Product Upgrade Tool software
Environmental characteristics	
Use	Indoor
Storage temperature	-20 ... +70°C (IEC 60068-2-1 / IEC 60068-2-2)
Operating temperature	-10 ... +55°C (IEC 60068-2-1 / IEC 60068-2-2)
Humidity	+25°C / 97% RH & +55°C / 93% RH (IEC 60068-2-30)
Operating altitude	≤ 2000 m
Pollution degree	2
Protection class	IP20
Measurement category	III
Mechanical characteristics	
Vibration	10 ... 150 Hz, 1 g (IEC 60068-2-6)
Shock	Half-sine pulse, 15 g, 11 ms (IEC 60068-2-27)
Standards	
Measurement	IEC 61557-12 - Class 0.5 for active energy IEC 62053-21 - Class 0.5 for active energy ANSI C12.20 - Class 0.5 for active energy
Safety	IEC 61010-1 & IEC 61010-2-030

6 Panelboard view

! When installing the DIRIS Digiware BCM in a right-side configuration, default phase assignment must be changed in Easy Config System software.



! For direct current inputs, install on 300 V insulated cable only.
(*) Refer to product marking for input number.
(**) CT Way can be changed in Easy Config System software if necessary.