

7 Technical Characteristics

	ISOM DIGIWARE D-55H	ISOM DIGIWARE D-55	ISOM DIGIWARE D-75 / D-75H
MECHANICAL CHARACTERISTICS			
BUTTONS	Capacity touch technology		
SCREEN RESOLUTION	350 x 160 pixels		
TYPE	Multi device connection		
ETHERNET RJ45 10/100 MBS (USE A SHIELDED ETHERNET CABLE)	Ethernet Gateway : Modbus TCP Bacnet IP SNMP v1, v2, v3 & Traps	Ethernet Gateway : Modbus TCP Bacnet IP SNMP v1, v2, v3 & Traps	Ethernet Gateway : Modbus TCP Bacnet IP SNMP v1, v2, v3 & Traps
EMBEDDED SOFTWARE	WEB-CONFIG	WEB-CONFIG	WEBVIEW-M
NUMBER OF SLAVES	Max 32 devices displayed		
RJ45 DIGIWARE	input (1x)		
RS485 2-3 WIRES	Configurable as input (Master) or output (Slave)		
SPEED	9600 bds (10 devices max) / 38400 bds - 115200 bds (32 devices max)		
MICRO-USB	Configuration via Easy Config System software		
BLUETOOTH LOW ENERGY			
USE	Visualisation of data from Socomec Bluetooth sensors		
OPERATING FREQUENCY	2402 to 2480 MHz		
EIRP POWER	EIRP Power for CE: 6.23 dBm (measured max average)		
MAX. POWER FOR FCC/IC	3.15 dBm		
DIMENSIONS			
EXTERNAL DIMENSIONS	3.78 x 3.78 in 96 x 96 mm		
DOOR CUT-OUT	3.62 ^{+0.03} x 3.62 ^{+0.03} in 92 ^{+0.8} x 92 ^{+0.8} mm		
DEPTH	1.85 in 47 mm		
ELECTRONICAL CHARACTERISTICS			
SUPPLY	24 VDC +/- 15%, Class 2 - 20 W max		
SUPPLY PROTECTION	Integrated into SOCOMEC supply (ref. 48290120) or use a 24 VDC 1 A gG/Am fuse		
ENVIRONMENTAL CONDITIONS			
USE	Indoor		
STORAGE TEMPERATURE	- 40 ... + 70 °C		
OPERATING TEMPERATURE	- 10 ... + 55 °C		
HUMIDITY	97% at +55 °C		
MAXIMUM OPERATING ALTITUDE	2000 m		
POLLUTION DEGREE	2		

8 Webserver access

Type in the display's IP address in your web browser. Default IP address is **192.168.0.4**

PROFILE	DEFAULT PASSWORD
User	(No password)
Advanced user	Advanced
Admin	Admin
Cyber Security	Cyber



For cyber security reasons, it is highly recommended that you change default passwords for Advanced user, Admin and Cyber Security profiles.

The display's FAULT LED will be flashing to indicate an active "Expired password" alarm until all passwords are changed or until the alarm is disabled from Easy Config System software.



QUICK START GUIDE



Display & Remote Alarm ISOM D



This symbol indicates that the full instruction manual, declaration of conformity EU-type examination certificate are available on the Socomec website:
www.socomec.com/operating-instructions

www.socomec.com



Multi point display with **Bluetooth Low Energy**
ISOM Digiware D-55
4729 0210



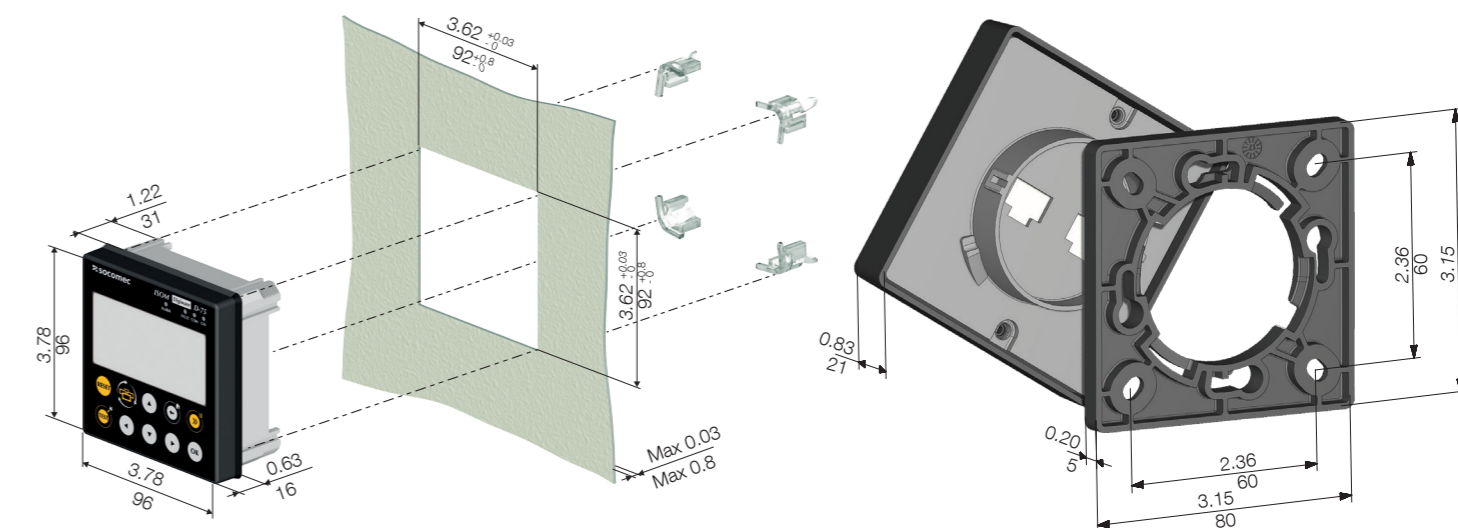
Multi point display with **Bluetooth Low Energy**
ISOM Digiware D-55h
4729 0211*

Multi point display & embedded webserver with **Bluetooth Low Energy**
ISOM Digiware D-75
4729 0212

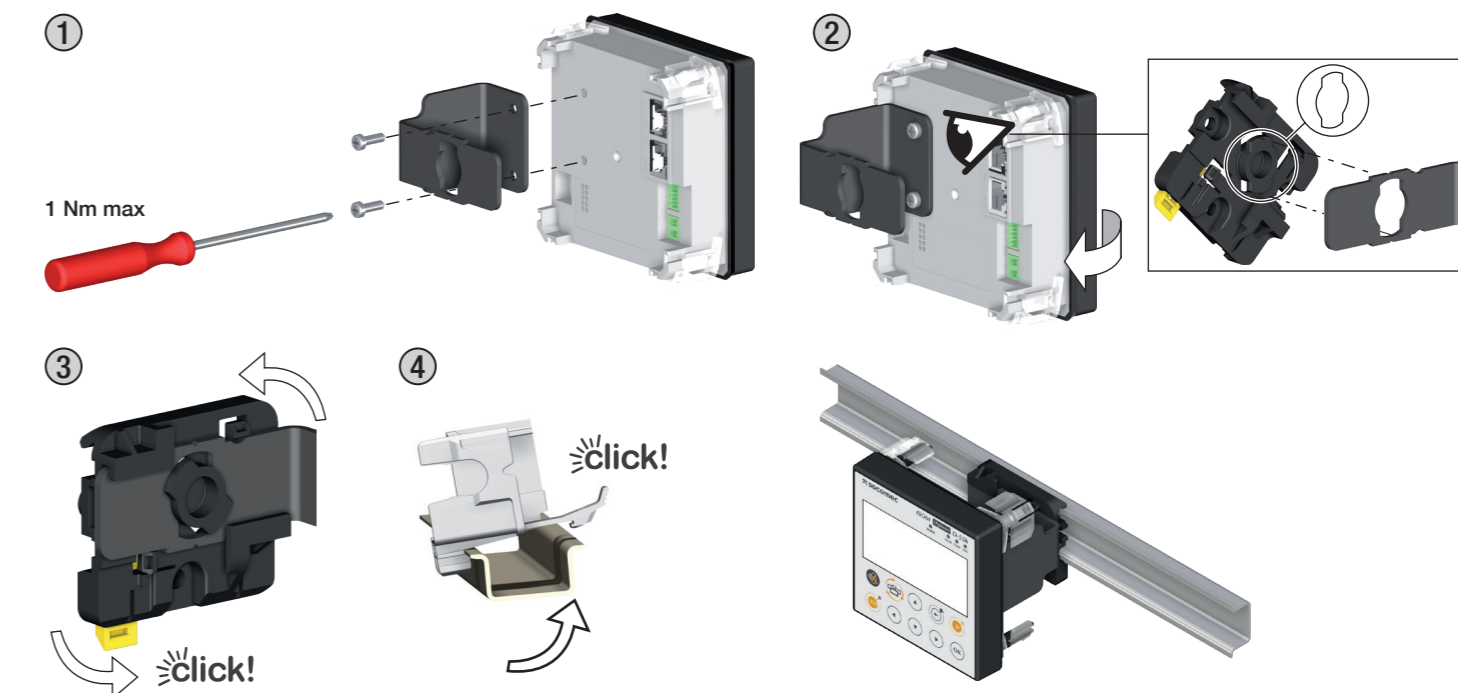
Multi point display & embedded webserver with **Bluetooth Low Energy**
ISOM Digiware D-75h
4729 0208*

(* h -> for medical locations)

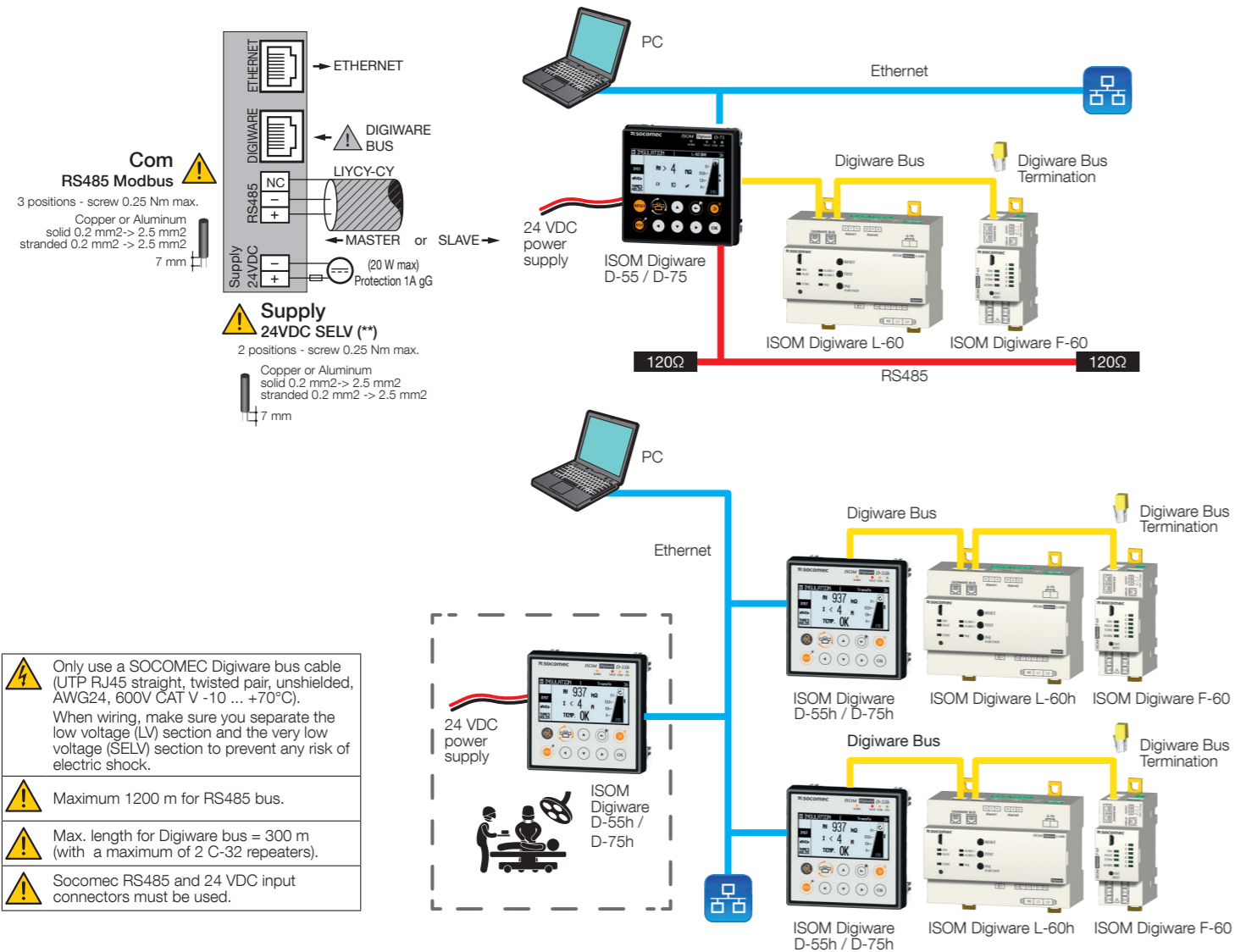
1 Dimensions (in/mm)



2 DIN rail mouting kit (separate part number: 48290230)

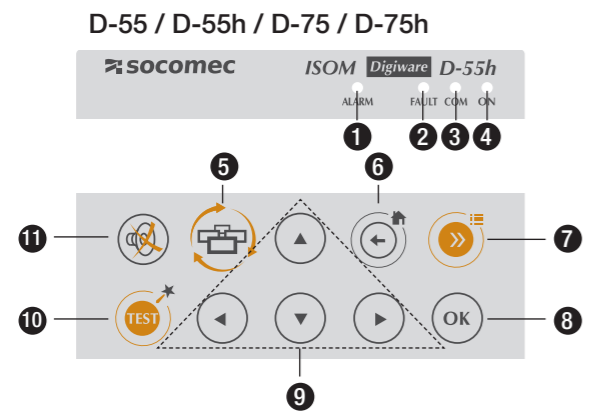


3 D-55 / D-55h / D-75 / D-75h



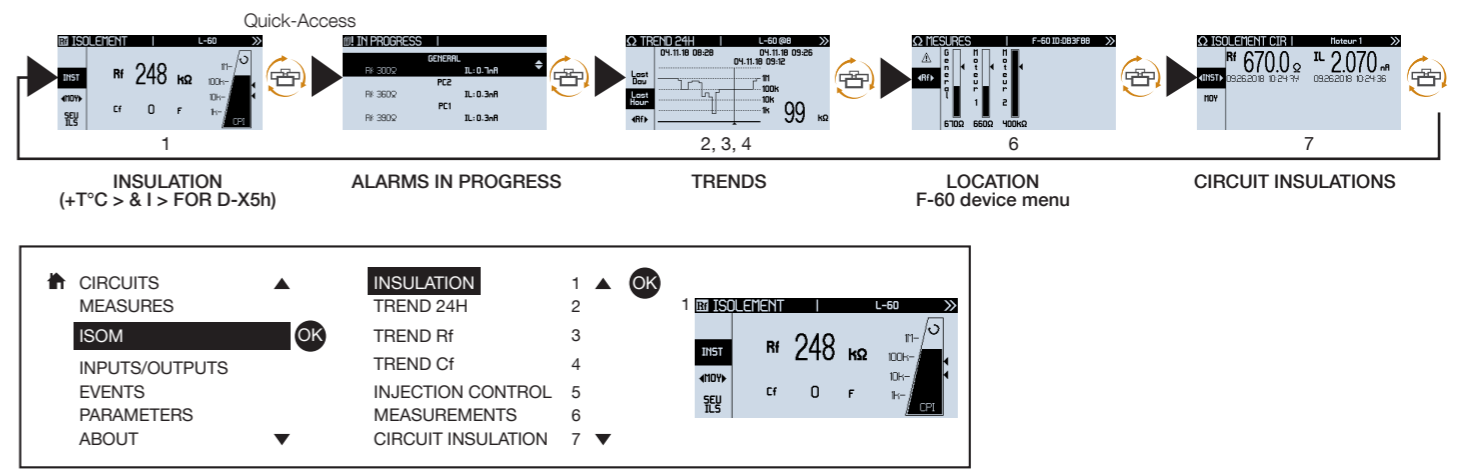
- Only use a SOCOMEC Digiware bus cable (UTP RJ45 straight, twisted pair, unshielded, AWG24, 600V CAT V -10 ... +70°C). When wiring, make sure you separate the low voltage (LV) section and the very low voltage (SELV) section to prevent any risk of electric shock.
- Maximum 1200 m for RS485 bus.
- Max. length for Digiware bus = 300 m (with a maximum of 2 C-32 repeaters).
- Socomec RS485 and 24 VDC input connectors must be used.

4 Operating



- 1 ALARM (amber)**
Lights if alarm on IMD/IFL
- 2 FAULT (red)**
- Off: no active alarm.
- Stable: at least one alarm (measurement, logical, protection) is active on the display or a connected device.
- Flashing: at least one system alarm is active on the display or a connected device.
- 3 COM (amber)**
- Off: display is not communicating with downstream devices.
- Stable: address conflicts during auto-discovery process.
- Flashing: communication in progress with a downstream device (RS485 or Digiware).
- 4 ON (green)**
- Off: display is not powered.
- Stable: device is powered.
- 5 QUICK ACCESS**
Insulation -> Trends -> Location -> PMD (if available).
- 6 Home (long press)**
Previous menu (short press)
- 7 Load selection (long press)**
Scroll feeders (short press)
- 8 CHOICE VALIDATION**
- 9 NAVIGATION**
- 10 TEST**
Start of test sequence on L-60 & F-60.
- 11 RESET (D-x5)**
or STOP BUZZER (D-55h)

5 Navigation principle D-55 / D-55h / D-75 / D-75h



6 Menu Structure (HOME)

		D-55H / D-75H	D-55 / D-75	
	LIST OF CIRCUIT INSULATION	•	•	
MEASURES	ISOM, VOLTAGES, CURRENTS, POWERS, ENERGIES	•	•	
ISOM	INSULATION	•	•	
	TREND 24H	•	•	
	TREND Rf	•	•	
	TREND Cf	•	•	
	INJECTION CONTROL	•	•	
INPUTS / OUTPUTS	MEASUREMENTS	•	•	
	CIRCUIT INSULATION	•	•	
	DIGITAL INPUTS	•	•	
DIGITAL OUTPUTS	DIGITAL OUTPUTS	•	•	
	ANALOG INPUTS	•	•	
	PROTECTION	•	•	
EVENTS	IN PROGRESS	•	•	
	ISOM IN PROGRESS	•	•	
	ALARMS	•	•	
	QUALITY	•	•	
	PARAMETERS	DISPLAY	•	•
	LANGUAGE	•	•	
	BUZZER	•	•	
DATE/TIME	•	•		
RS485 COM	•	•		
ETHERNET COM	•	•		
CHANGE PASSWORD	•	•		
AUTODETECT SERIAL DEVICES		•	•	
ADD DEVICE MANUALLY		•	•	
DEVICE ACTIONS		•	•	
REMOVE DEVICE		•	•	
RESTORE A PRODUCT FACTORY SETTINGS		•	•	
PRODUCT LIST		•	•	
DIAGNOSIS	ETHERNET	•	•	
	SERIAL COMM	•	•	
	NETWORK TIME	•	•	
	EMAIL	•	•	
	FTP CLIENT	•	•	
	DATALOGGER	•	•	
	IOT SOCOMEC	•	•	
ABOUT	IP & MAC adresses, SN, NETID, Soft version, REBOOT	•	•	