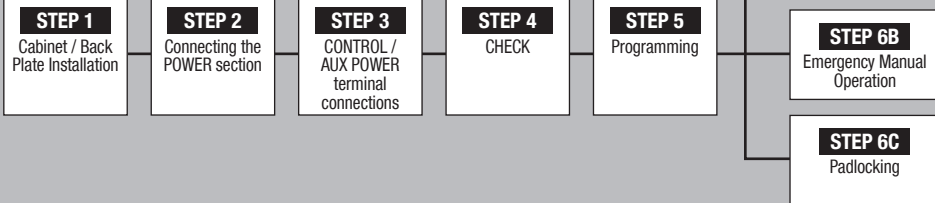


# ATyS g M

Automatic  
Transfer Switching Equipment

## Installation and Commissioning



### Preliminary operations

Check the following upon delivery and after removal of the packaging:

- Packaging and contents are in good condition.
- The product reference corresponds to the order.
- Contents should include:
  - Qty 1 x ATyS M
  - Qty 1 x Emergency handle extension ROD
  - Qty 1 x Set of terminals
  - Quick Start instruction sheet

### Warning

**⚠ Risk of electrocution, burns or injury to persons and / or damage to equipment.**

This Quick Start is intended for personnel trained in the installation and commissioning of this product. For further details refer to the product instruction manual available on the SOCOMEC website.

- This product must always be installed and commissioned by qualified and approved personnel.
- Maintenance and servicing operations should be performed by trained and authorised personnel.
- Do not handle any control or power cables connected to the product when voltage may be, or may become present on the product, directly through the mains or indirectly through external circuits.
- Always use an appropriate voltage detection device to confirm the absence of voltage.
- Ensure that no metal objects are allowed to fall in the cabinet (risk of electrical arcing).

Failure to observe good engineering practises as well as to follow these safety instructions may expose the user and others to serious injury or death.

- ⚠ Risk of damaging the device**
- In case the product is dropped or damaged in any way it is recommended to replace the complete product.

### Accessories

- Bridging bars and 125A or 160A.
- Control voltage transformer (400Vac -> 230Vac).
- Voltage sense and power supply TAP.
- Terminal shrouds.
- Additional aux contact block.
- Polycarbonate enclosure.
- Polycarbonate extension box.
- Power Connection Terminals.
- Sealable cover.



www.socomec.com  
www.socomec.com/en/atys-g-m  
To download, brochures, catalogs and technical manuals.

Printing informations: 1 color Black. White paper 90g/m<sup>2</sup>.  
Printing size: 420x297. Final size 210x297. This page visible first.  
A separate sheet for each language.

CORPORATE HQ CONTACT:  
SOCOMECSAS, 1-4 RUE DE WESTHOUSE, 67235 BENFELD, FRANCE



542932D

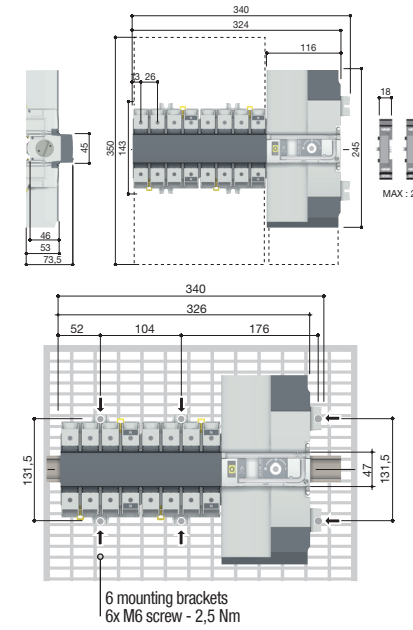
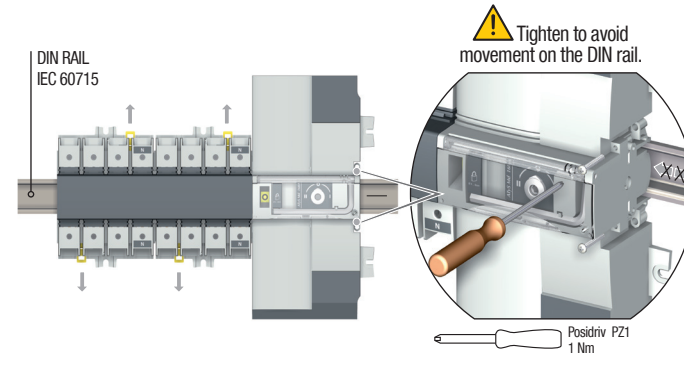
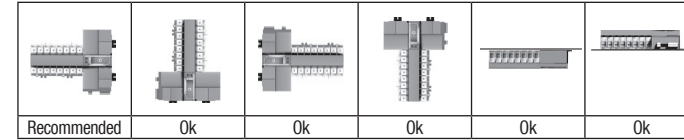


Non contractual document.  
Subject to change without notice.

## STEP 1 Installation

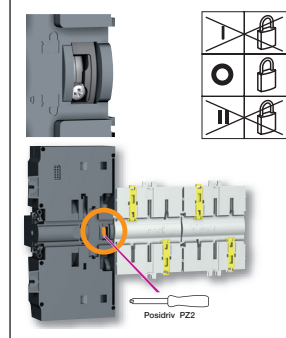
Caution: Ensure that the product is installed on a flat rigid surface.

### Recommended orientation



### Padlocking configuration

**⚠** The ATyS M is delivered with padlocking configured to the 0 position.



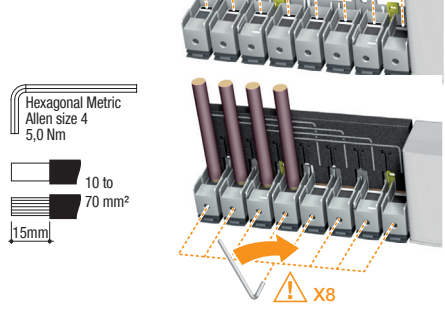
**⚠** To allow padlocking in all positions (I - 0 - II), configure the ATyS M as follows before installation. (Screw is located at the back of the product).

## STEP 2 Power Terminal Connections

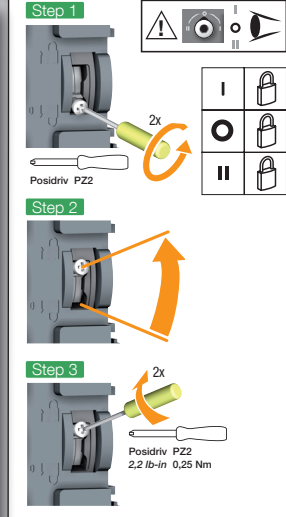
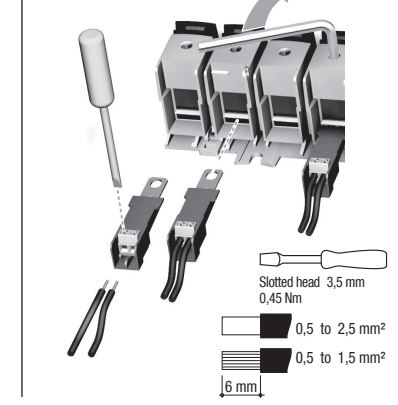
**⚠** It is essential to tighten all used terminals, with cables and/or bridging bars, before use.



Load side bridging bar.  
125A: 1309 4006  
160A: 1309 4016

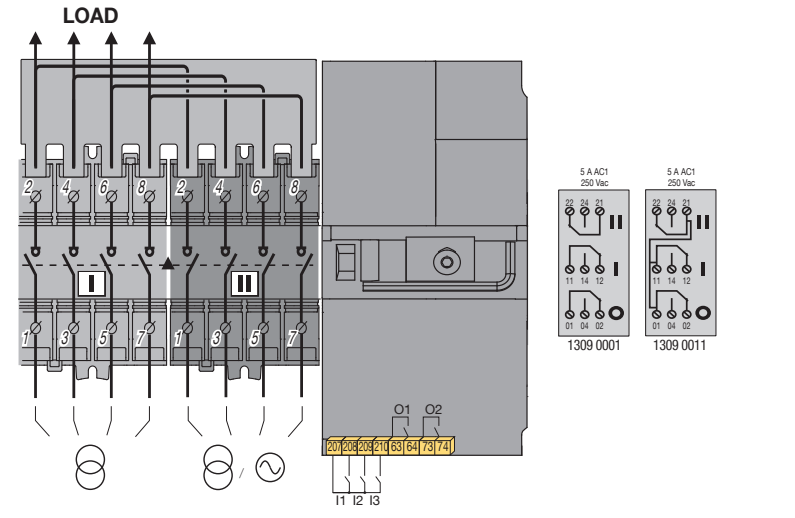


Voltage taps provide 2x ≤ 1.5mm<sup>2</sup> connections. They can be fitted in any terminals on the source supply side. Do not use on the load side when equipped with a bridging bar.

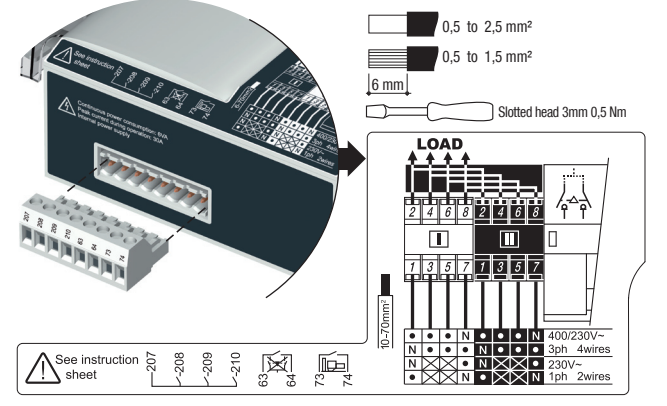


## STEP 3 CONTROL / AUX POWER Terminals and wiring

Type	Terminal no.	Application	Status of the contact	Description	Output characteristics	Recommended connection cross-section
Inputs	I1: 207 / 208	Network/Network		With priority	Dry potential free contact	0.5 to 2.5 mm <sup>2</sup> (rigid)
				Without priority		
				Automatic retransfer		
	I1: 207 / 209	Network/Network		Source priority 1	Dry potential free contact	
				Source priority 2		
				Stop the test on load		
I3: 207 / 210	Network-Network or Network-Generating set		AUTO mode	Dry potential free contact	0.5 to 1.5 mm <sup>2</sup> (stranded)	
			Automatic mode inhibition			
Outputs	O1: 63 / 64	Network-Network or Network-Generating set		Product not available : - Manual mode - Command default - Electronic default - No source	Resistive load 2A 30 Vdc 0.5A 230Vac Pmax: 60W or 125VA Umax: 30Vdc or 230Vac	
				Product available		
	O2: 73 / 74	Network-Genset.		No start command genset	Resistive load 2A 30 Vdc 0.5A 230Vac Pmax: 60W or 125VA Umax: 30Vdc or 230Vac	
				Generating set starting		

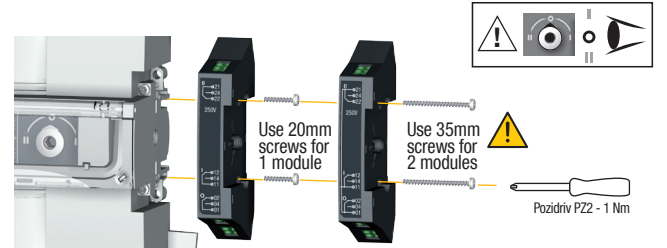


Type	Terminal no.	Status of the contact	Description	Output characteristics	Recommended connection cross-section
Auxiliary contact block 1309 0001	11/12/14	11—14 12	Changeover switch in position I	250V AC 5A AC1 30 Vdc 5 A	0.5 to 2.5 mm <sup>2</sup> (rigid)
	21/22/24	21—24 22	Changeover switch in position II	250V AC 5A AC1 30 Vdc 5 A	
	01/02/04	01—04 02	Changeover switch in position 0	250V AC 5A AC1 30 Vdc 5 A	
Auxiliary contact block 1309 0011	11/12/14	11—14 12	Changeover switch in position I	250V AC 5A AC1 30 Vdc 5 A	
	21/22/24	21—24 22	Changeover switch in position II	250V AC 5A AC1 30 Vdc 5 A	
	01/02/04	01—04 02	Changeover switch in position 0	250V AC 5A AC1 30 Vdc 5 A	



Ensure that the product is in Manual Mode (front cover open).

**Auxiliary contacts:** Fitting of auxiliary contacts: 1309 0001 or 1309 0011  
To fit an AC, the switch must first be put in position 0. An auxiliary contact module comprises: one NO/NC changeover contact for each position (I-0-II). To install use the long screws supplied with the module.



### STEP 4 Check

Whilst in manual mode, check the wiring and if ok power up the product.



### STEP 5 Programming

The LED signalling and operation is only active when the product supply is available. To set the dip switches, it is necessary to open the Auto/Manual cover. Commissioning must always result in having at least 1 LED source available on. (Therefore, the voltage and frequency must be within the defined thresholds).

⚠ Any action on the potentiometers will change the settings, even when the cover is closed.

#### A Dip switch settings



##### Type of network: A-B

- A: 3P
- B: 1P

##### Frequency: C-D

- C: 50 Hz
- D: 60 Hz

##### Stop in 0 position: E-F

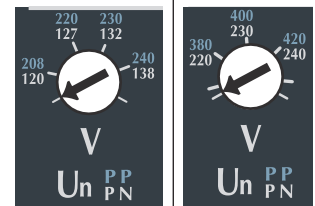
- E: No stop in 0 position
- F: 2s stop in 0 position

##### Type of application: G-H

- G: Network - Genset
- H: Network - Network

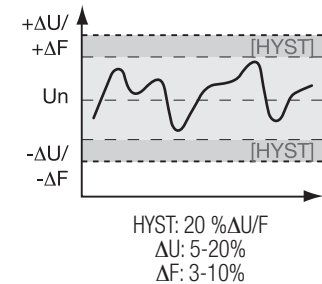
#### B Source voltage supply configuration

127/230 Vac version | 230/400 Vac version



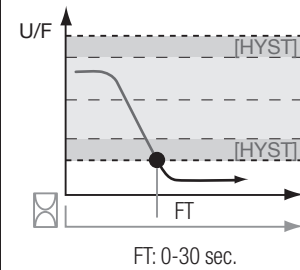
Un (P-P): 208-240 Vac  
Un (P-N): 120-138 Vac

Un (P-P): 380-420 Vac  
Un (P-N): 220-240 Vac

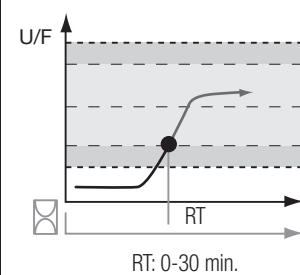


#### C Timer settings

Loss of priority source timer



Return of priority source timer



#### D Led info

Source availability LED

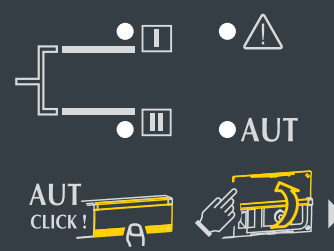
Source	LED ON	LED OFF	LED blinking
I	Source 1 available	Source 1 missing or out of range	- a timer is counting down - test mode
II	Source 2 available	Source 2 missing or out of range	- a timer is counting down

Fault and state of the product Leds

	LED ON	LED OFF	LED blinking
⚠	Fault	Product OK	Wait
AUT	Auto mode	Manual mode	Manual retransfer



**socomec**



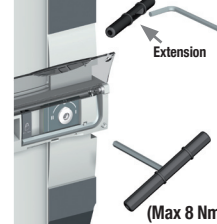
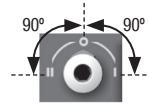
### STEP 6A Automatic operation

Close the front cover as shown to put the product into automatic mode.



### STEP 6B Manual operation

- Open the front cover as shown to put into manual mode.
- Use the handle situated in the front panel under the cover to operate the transfer switch.
- Check the changeover switch position on the indicator before operating.

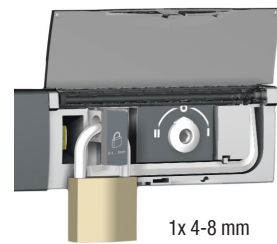


To simplify operation use the handle with the extension provided.

(Max 8 Nm)

### STEP 6C Padlocking mode

- In order to padlock put the product in manual mode.
- Pull the locking mechanism and insert a padlock as shown.
- As standard padlocking in the 0 position. Configurable to I-0-II (see step 1).



1x 4-8 mm